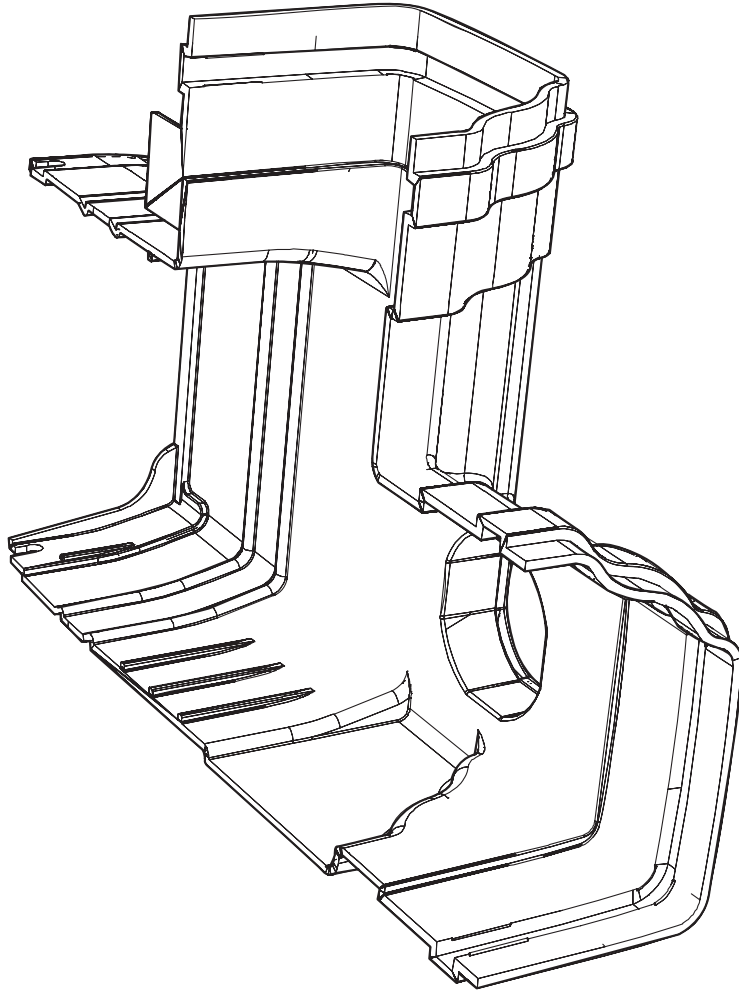


SECTION 5 - Guttering

Rainwater disposal is essential and in this section are structural box gutters too



BAS 075 Box gutter 75ml tube of sealant

BAS075 BOXGUTTER 75ML TUBE OF SEALANT

DBU - - - Decorative box gutter cladding

DBU600L/2 265MM CLADDING 6M
DBU600S 165MM CLADDING 6M
DBU600L 265MM CLADDING CONNECTOR

DBU600L ILLUSTRATED

BGAA - - - Box gutter adaptors

165MM ADAPTORS

- BGAA001L/1 STRAIGHT INLINE LEFT
- BGAA001R/1 STRAIGHT INLINE RIGHT
- BGAA002L/1 90 DEGREE LEFT
- BGAA002R/1 90 DEGREE RIGHT
- BGAA003L/1 90 WITH OUTLET LEFT
- BGAA003R/1 90 WITH OUTLET RIGHT
- BGAA004L/1 135 WITH OUTLET LEFT
- BGAA004R/1 135 WITH OUTLET RIGHT
- BGAA005L/1 INLINE OFFSET LEFT
- BGAA005R/1 INLINE OFFSET RIGHT
- BGAA007L/1 90 OFFSET LEFT
- BGAA007R/1 90 OFFSET RIGHT

265MM ADAPTORS

- BGAA261L/1 ASSY CW OUTLET W
- BGAA261R/1 ASSY CW OUTLET
- BGAA262L/1 ASSY CW RETURN
- BGAA262R/1 ASSY CW RETURN
- BGAA263L/1 ASSY + STOP END
- BGAA263R/1 ASSY + STOP END

GAD - - - Gutter to RWP adaptor

GAD001 GUTTER TO SQUARE RWP ADAPTOR
GAD002 GUTTER TO ROUND RWP ADAPTOR

MEA 001 Classic gutter external 90 degrees

MEA001 GUTTER 4LT EXTERNAL 90 DEG

BES 001 Bottom elbow shoe (RWP)

BES001 BOTTOM ELBOW SHOE

MGB 002 Classic gutter screw on bracket

MGB002 4LT SCREW ON GUTTER BRACKET

BGI - - - Box gutter insulation

BGI422 INSULATION 4M ROLL - 165 b.g
BGI622 INSULATION 6M ROLL - 165 b.g
BGI432 INSULATION 4M ROLL - 265 b.g
BGI632 INSULATION 6M ROLL - 265 b.g

MGBB 001 Classic gutter eaves beam bracket

MGBB001 EAVES BEAM GUTTER BRACKET

BGRA 005 165mm Box gutter reinforcement (strap)

BGRA005/S 165MM REINFORCEMENT 50MM X 5

MGO 001 Special gutter outlet/tank fitting

MGO001 SPECIAL GUTTER OUTLET/TANK FITTING (DRILL & FIT)